

# Vista PowerDome

## Quick Reference Guide



## Contents

1. INTRODUCTION	2
1.1 Description	2
1.2 Operation Requirements	2
2. CONNECTIONS	2
2.1 Preparing the Cables	2
2.2 Cable Connections	3
2.3 Interface Module	3
3. ADDRESSING	4
3.1 Dip Switch Positions & Equivalent Values	4
4. DIP SWITCHES	5
5. TECHNICAL SUPPORT HELPLINE	5
6. REVISION HISTORY	6

## 1. Introduction

This guide provided by Maxey Moverley Limited contains programming instructions to aid onsite engineers in tackling common problems when installing Vista PowerDome cameras.

This information has been compiled from publicly available documentation in conjunction with the observations of Maxey Moverley Limited.

### 1.1 Description

A PowerDome is a variable speed PTZ (pan/tilt/zoom) dome camera used in CCTV systems for discreet surveillance of a remote area. A PowerDome's operational features are customized and stored within its own on-board programmable non-volatile memory. PowerDomes are programmed using Vista NPX/R/KDB/J3De or VPD-KBD controller keypads.

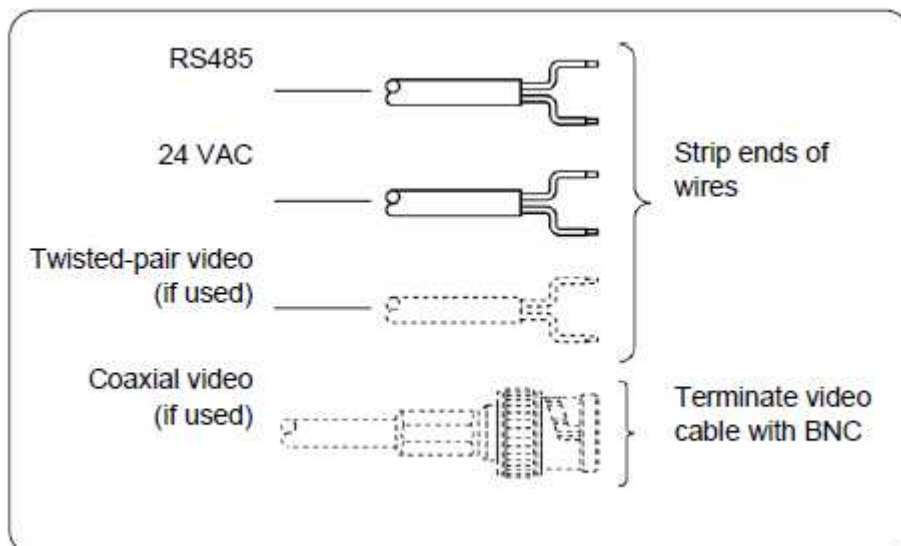
### 1.2 Operation Requirements

The PowerDome has three built-in receivers, two for RS485, PowerDome, and Pelco D, and one for coaxial UTC control. The dome automatically detects the current protocol. UTC control requires a Vista Triplex Columbus hard disk recorder and a minimum of one keyboard. A minimum of one keyboard is required for RS485 control.

## 2. Connections

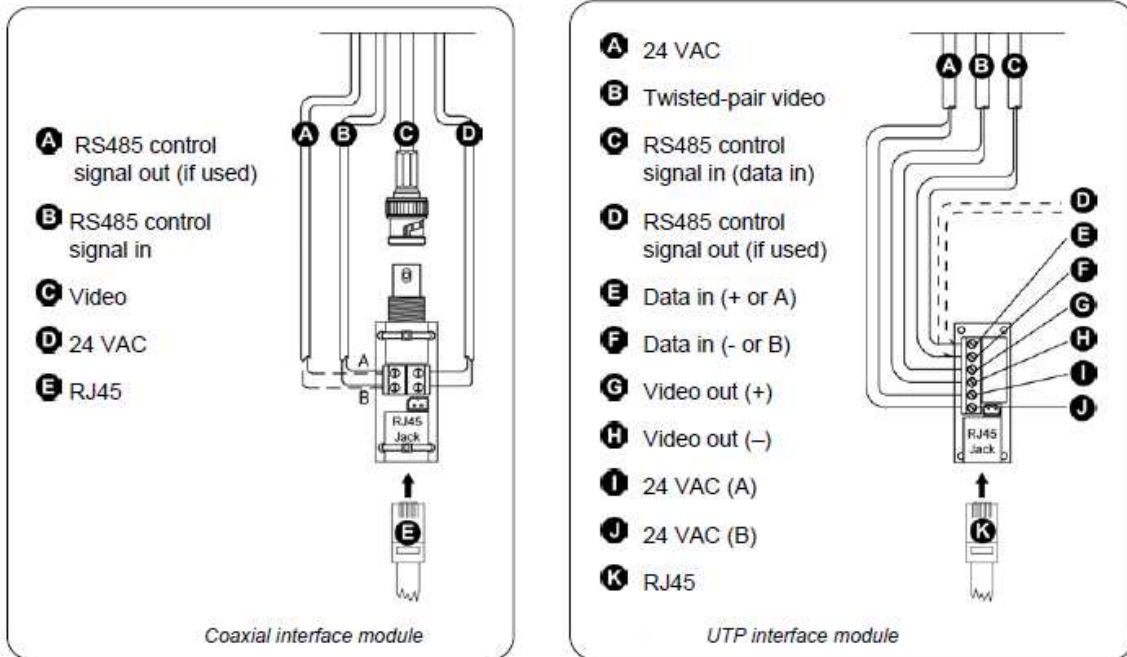
### 2.1 Preparing the cables

To make cable connections for the housing installation prepare the cables as shown in the diagram.



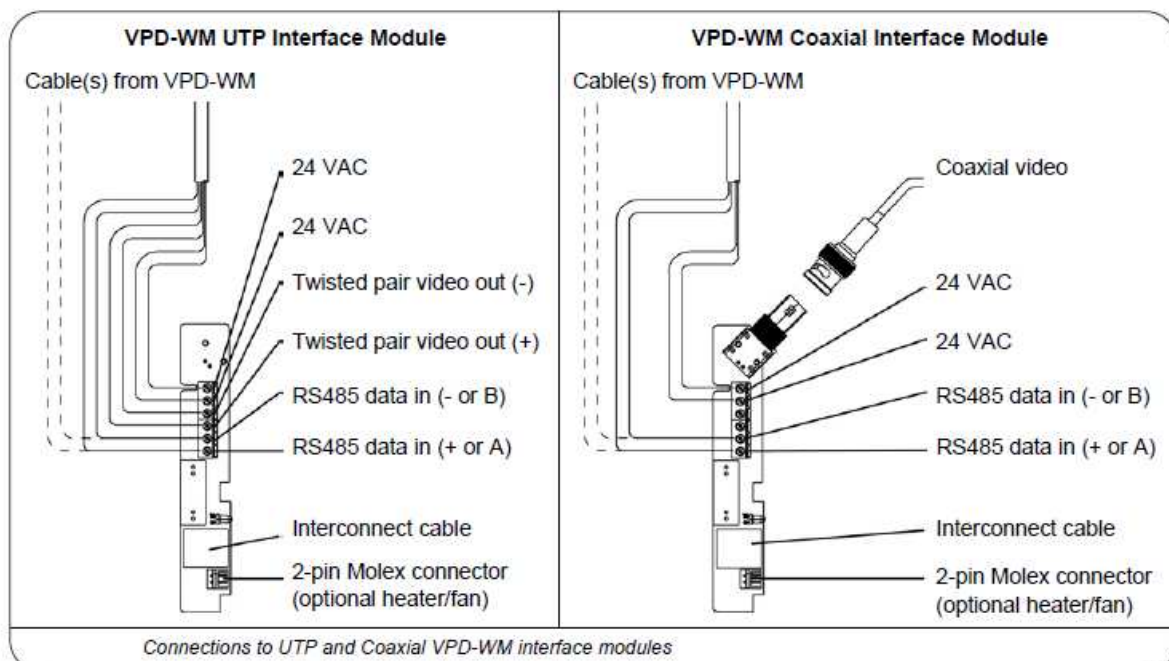
## 2.2 Cable Connections

Make cable connections for both the Coaxial and UTP interface module as shown in the diagram.



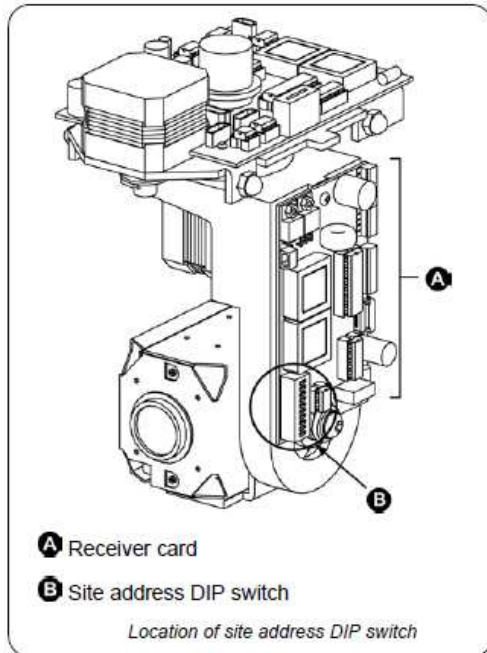
## 2.3 Interface Module

Wire the interface module as shown in the diagram.



### 3. Addressing

The receiver card mounted on the Power Domes pan/tilt contains a multi position DIP switch, as seen below. Use the switch to assign a camera number to the Power Dome.



#### 3.1 Dip Switch Positions & Equivalent Values

To program the receiver's site number on the DIP switch use the table below:

Dip Switch Position Number	1	2	3	4	5	6	7	8	9	10	11	12
Equivalent Value	1	2	4	8	16	32	64	128	256	512	x	x

If you use the PowerDome with coaxial UTC telemetry, we recommend that you set the address especially if you plan to add a VPD-ALM16 alarm module.

If you use RS485 directly from a Vista NPX/KBD/J3De or VPD-KBD keyboard that is also controlling multiple Vista Triplex Columbus digital recorders or VDC1604 matrix units, address domes attached to the units as follows:

- Unit with BaxNet address 1: 1 through 16
- Unit with BaxNet address 2: 17 through 32
- Unit with BaxNet address 3: 33 through 48
- Unit with BaxNet address 4: 49 through 64

For units with any other BaxNet address, domes should be numbered 1 through 16 and you should use only one keyboard.

When you use UTC control, each receiver needs to tune to the transmitter. Select each dome in turn, and pan left and right until the dome moves. This should take about 5 to 10 seconds.

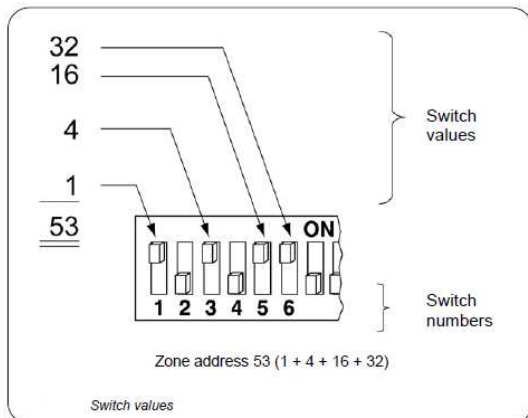
## 4. Dip switches

One way to determine which switches to use is to subtract the highest possible switch value from the address you want, then subtract the highest possible switch value from the difference. Continue to subtract the highest possible switch value from the difference until you have zero.

For example, if you want address 53:

Switch Address 53					
Switch Address		Switch Value		Switch Values	Switch On
53	-	32	=	21	6
21	-	16	=	5	5
5	-	4	=	1	3
1	-	1	=	0	1

Therefore, for address 53 you would use switches 1 (1), 3 (4), 5 (16), and 6 (32)



## 5. Technical Support Helpline

For help and guidance with installation issues, that are not covered within this guide please contact our dedicated customer technical helpline on **01527 522299** and speak to one of our specially trained technicians who will be happy to assist you.

## 6. Revision History

Revision	Date	Author	Amendments	Comments
1	24/04/13	DS	First draft	Issued for internal review
1.1	14/05/2013	DS	Agreed format/content	Issued for distribution